

waterproof keypad

AS626/826

The Alpro Waterproof Keypads are simple to install and user friendly. These aesthetically designed and vandal resistant keypads are suitable for up to 200 users.

Available as either a Self Contained or Two Part Access Control System. Slim and secure with no moving parts they are manufactured to highest standards for external or internal use.

No Moving Parts

Solid state Piezo technology

Waterproof – IP68 Certificated

Highest certification available

Slimline Design

44.5mm wide x 181mm long

Tamper Resistant

Security plugs provided

Vandal Resistant

One piece solid housing

Variable Length Codes

From 4 to 8 digit codes can be used simultaneously

Electrical Features

2 amp changeover relay

12v AC or 12-24v DC ($\pm 10\%$) power 120mA max

Visual & Audible Feedback

Timeout functions for code entry and programming

Up to 200 User Codes

100 million combinations 4 to 8 digit codes

Non Volatile Memory

Anodized Graphics

Long life - wear resistant

Approvals

CE and UL

Also available...

The Alpro HID Prox Keypad.

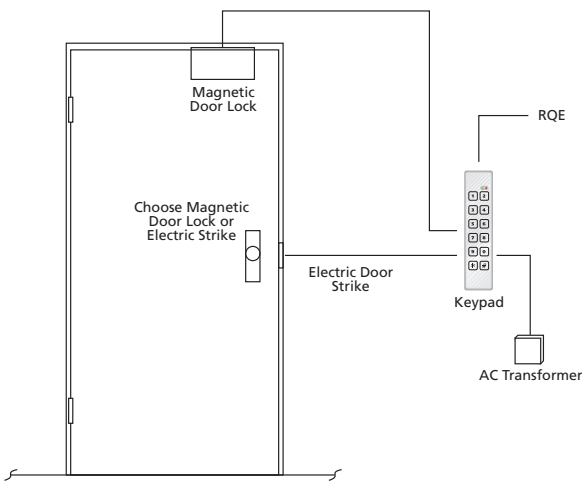
A combination of a virtually indestructable keypad with a HID Reader offering the security industry the best of both worlds for the first time.

Ordering and technical information available on request.

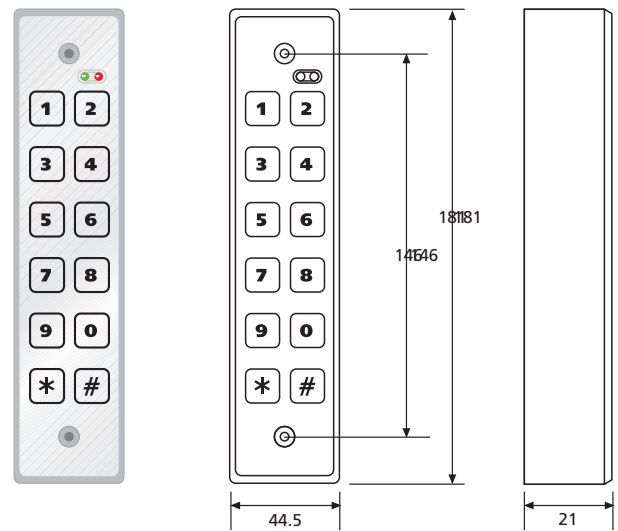


DESCRIPTION	CODE
Self Contained Single Door Access Control - 200 Users Slim Surface Mount, 2x6, 2 LED, Outdoor/Indoor, Bright Aluminium Slim (Flush) Mortise Mount, 2x6, 2 LED, Outdoor/Indoor, Bright Aluminium	AS-626S-200/3M AS-626M-200
Single Door Two Part Access Controller System - 200 Users Slim Surface Mount, 2x6, 2 LED, Outdoor/Indoor, Bright Aluminium Slim (Flush) Mortise Mount, 2x6, 2 LED, Outdoor/Indoor, Bright Aluminium	AS-826S-200 AS-826M-200
Accessories Cable, replacement, between Keypad and Controller. 12' of cable with connectors	AST10CABLE

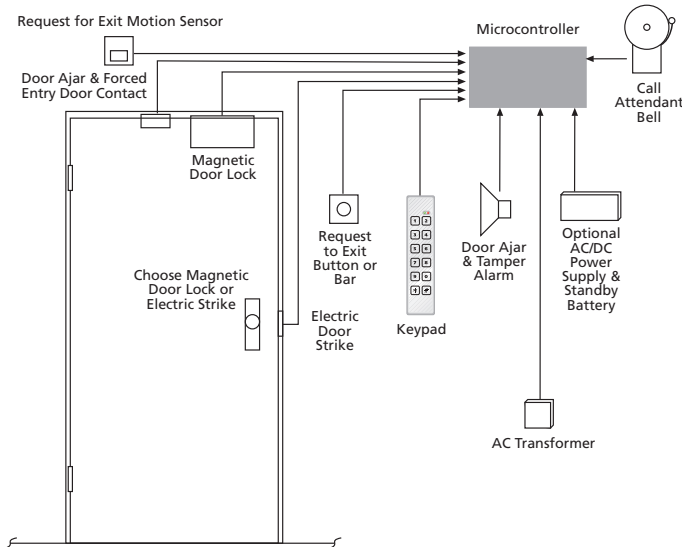
Self Contained Single Door Access Control - 200 Users



Slim Surface



Single Door Two Part Access Controller System - 200 Users



Slim Mortise

