

### Features

- Range of backsets available
- Locks accept standard 1<sup>5</sup>/<sub>32</sub>" mortise key or thumbturn cylinder
- Faceplate finish SAA
- Industry standard ANSI cut outs
- Europrofile or round mortise cylinder options
- Latch hold back facility
- Latches compatible for use with electric strikes

### Functionality

Deadlatches offer flexible control of situations and can be used in conjunction with electric strikes to provide the added option of remote access control. Designed to operate on doors with 3mm door gaps, the deadlatches can also be operated with the 459 paddle handle (cam plug required).

Code	Description	For use with	Finish
5245101	Deadlatch to suit round mortise cylinder 1 <sup>1</sup> / <sub>8</sub> " backset (RH)		N/A
5245102	Deadlatch to suit round mortise cylinder 1 <sup>1</sup> / <sub>8</sub> " backset (LH)		N/A
5245103	Deadlatch to suit round mortise cylinder 3 <sup>1</sup> / <sub>32</sub> " backset (RH)		N/A
5245104	Deadlatch to suit round mortise cylinder 3 <sup>1</sup> / <sub>32</sub> " backset (LH)		N/A
52FP4511	Flat faceplate - width 25mm	4570/4510	SAA
52FP4512	Radius faceplate - width 25mm	4570/4510	SAA
52FP4513	Radius faceplate with weather strip - width 25mm	4570/4510	SAA
5235	Strike plate		N/A
5245-FIX-KIT	Deadlatch fixing kit - width 25mm	4570/4510	N/A
5245ESP	Extended strike plate	4570/4510	N/A

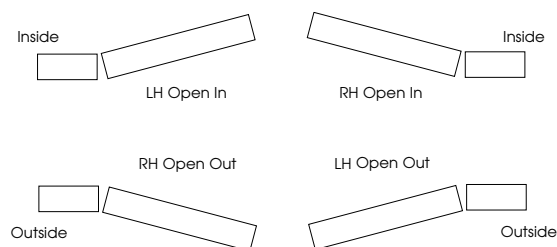
For details of the faceplate variants available, see page 14.

Imperial Backset	Metric Equivalent	Dimension A
3 <sup>1</sup> / <sub>32</sub> "	24.6mm	41.4mm
1 <sup>1</sup> / <sub>8</sub> "	28.6mm	45.2mm

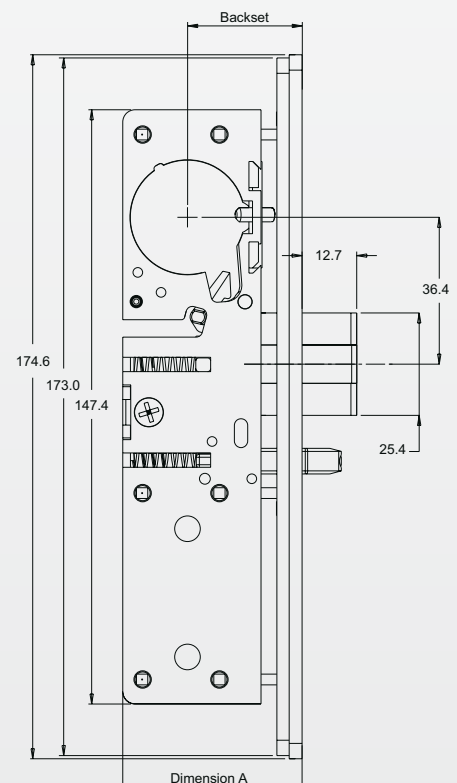
### Handing of doors for locks

The description of swinging door operation always viewed from the outside.

LH: Door hinges on left      RH: Door hinges on right



524510 Lock Type



### Features

- Range of backsets available
- Faceplate finish SAA
- Locks accept standard 17mm Europrofile cylinders and thumbturns
- Industry standard ANSI cut outs
- Europrofile or round mortice cylinder options
- Latch hold back facility
- Latches compatible for use with electric strikes

### Functionality

Deadlatches offer flexible control of situations and can be used in conjunction with electric strikes to provide the added option of remote access control. Designed to operate on doors with 3mm door gaps.

Code	Description	For use with	Finish
5245701	Deadlatch to suit 17mm Europrofile cylinder 25mm backset (RH)		N/A
5245702	Deadlatch to suit 17mm Europrofile cylinder 25mm backset (LH)		N/A
5245703	Deadlatch to suit 17mm Europrofile cylinder 28mm backset (RH)		N/A
5245704	Deadlatch to suit 17mm Europrofile cylinder 28mm backset (LH)		N/A
5245705	Deadlatch to suit 17mm Europrofile cylinder 38mm backset (RH)		N/A
5245706	Deadlatch to suit 17mm Europrofile cylinder 38mm backset (LH)		N/A
52FP4511	Flat faceplate - width 25mm	4510/4570	SAA
52FP4512	Radius faceplate - width 25mm	4510/4570	SAA
52FP4513	Radius faceplate with weather strip - width 25mm	4510/4570	SAA
5235	Strike plate		N/A
5245-FIX-KIT	Deadlatch fixing kit - width 25mm	4570/4510	N/A
5245ESP	Extended strike plate	4570/4510	N/A

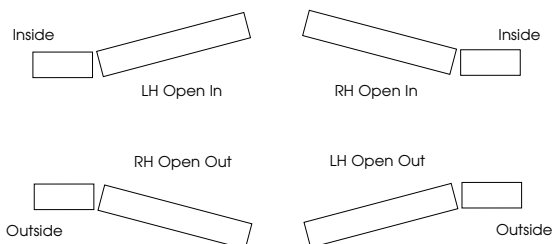
For details of the faceplate variants available, see page 14.

Metric Backset	Dimension A
25mm	41.4mm
28mm	45.2mm
38mm	57.1mm

### Handing of doors for locks

The description of swinging door operation always viewed from the outside.

LH: Door hinges on left      RH: Door hinges on right



524570 Lock Type

