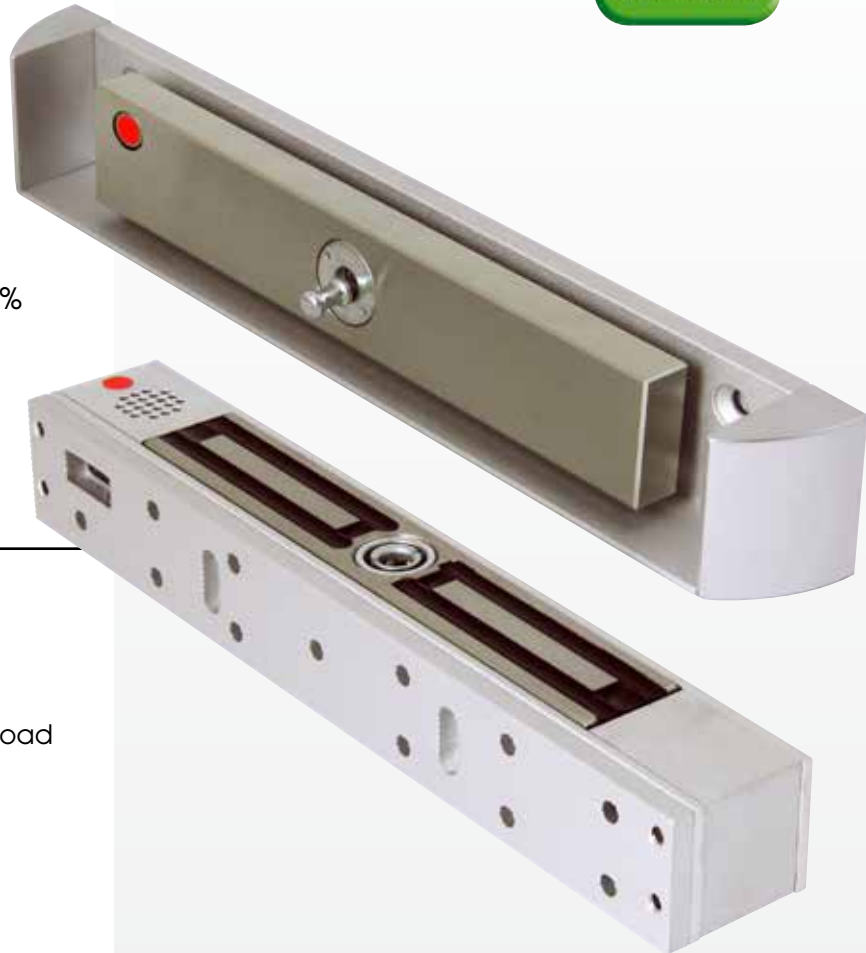


# surface door magnet

## AL2400LP

Alpro's Vortex 2400 compact door magnet is a unique magnet with patented inbuilt technology ensuring improved performance and reliability and a real alternative to standard face to face magnets. Complete with a conical aperture to receive a strong alloy pin the unit embodies both magnetic and mechanical holding force. Independently tested to 1500kg, the holding force is 400% stronger, the body size is 75% smaller, power consumption is 50% lower and there is 75% less material used in the manufacturing processes making the Vortex greener and more environmentally friendly than its competitors. Complete with built in LED and dual monitoring.

VORTEX®



### High Physical Security

Holding force 1,500kg

### Releases under Side Load Pressure

Magnet will release with up to 100kg of side load pressure when the power is removed

### Weight

450g

### Slimline Dimensions

218mm(L) x 35mm(W) x 30mm(D)

### Multiple Voltage Input

Any voltage from 12vDC to 24vDC

### Low Current Consumption

Volts	Current
12v DC	240mA
24v DC	120mA

2 Amp power supply minimum for activation

### Dual Monitoring

Locking and door position

### Early Warning Alarm EW Technology

Magnets are fitted with EW pressure sensors able to send an alarm before access forced open. Also fitted with buzzer.

### Surface Mounting for easy retrofit

### Armature Plate Security Bracket

### No residual magnetism

### Accessories

L & Z brackets

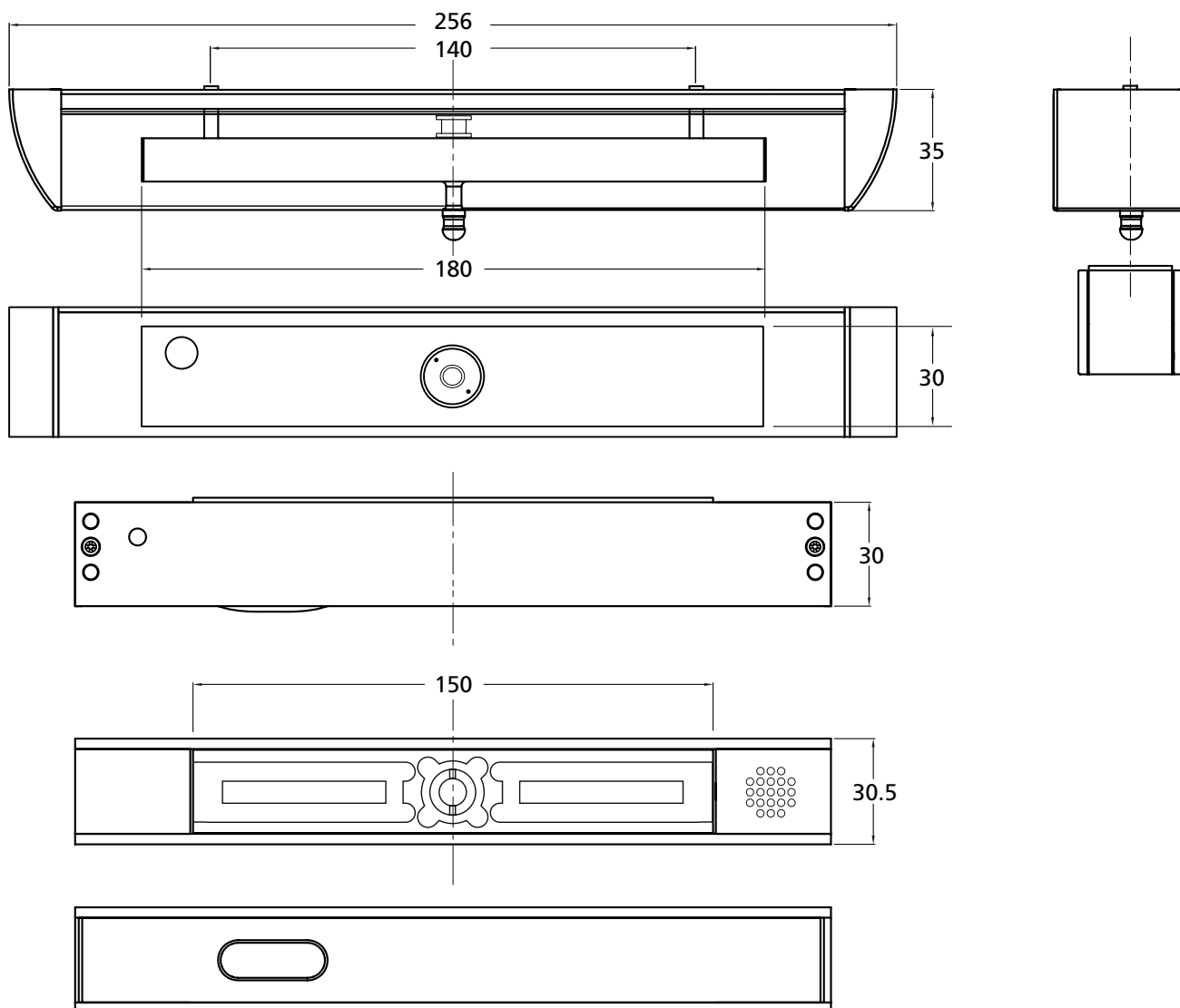
### Approvals

EN 61000-4-2 (1995) + A1 (1998) + A2 (2001)  
EN 61000-4-3 (2006) + A1 (2008)  
EN 50130-4 (1996) + A1 (1998) + A2 (2003)  
EN 55022 (1998) + A1 (2000) + A2 (2003)  
EN 61000-4-4 (2004)      EN 61000-4-5 (2006)  
EN 61000-4-6 (2007)      EN 61000-6-2 (2005)  
EN 61000-6-3 (2007)

# Ordering Information/Specifications



DESCRIPTION	FINISH	CODE
Surface mounted magnet. Secure armature – LED – 12/24vDC	Satin Anodised	<b>AL2400-LP</b>
ACCESSORIES	FINISH	CODE
L bracket for 2400 model	Satin Anodised	<b>ALAMLB2400</b>
L&Z brackets for 2400 model	Satin Anodised	<b>ALAMZB2400</b>
Security Vortex 'L' bracket	Satin Anodised	<b>GS2400L</b>
Security Vortex 'Z & L' bracket	Satin Anodised	<b>GS2400Z&amp;L</b>



**NOT SUITABLE FOR VERTICAL FITTING**