

alpro

Round Mortice Cylinder

Lock Accessories



5228 Round Mortice Cylinder



5230 Round Mortice Thumbturn



5231 Round Mortice Cylinder Guard

Alpro's round mortice cylinder range complements the Alpro lock range along with various key options to enable the customer to choose the required system that best suits their application.

These mortice cylinders are for use with narrow stile deadlocks and deadlatches.

May be supplied keyed to differ, or keyed to pass.

Supplied with 2 keys as standard.

Suitable for use with round mortice cylinder guard 5231



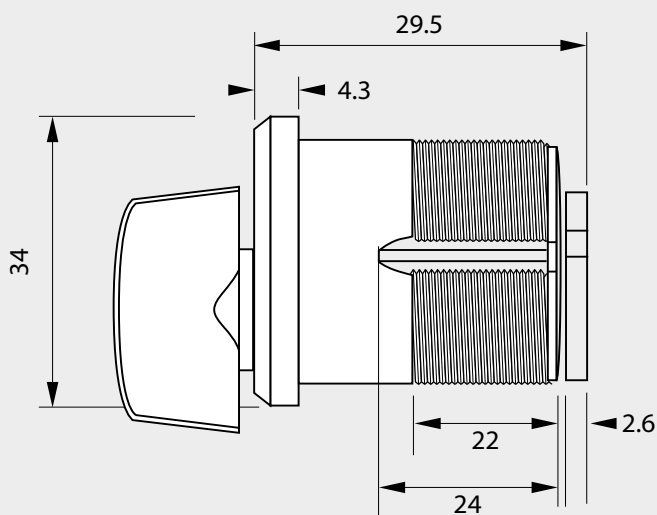
3 YEAR GUARANTEE

Ordering Information

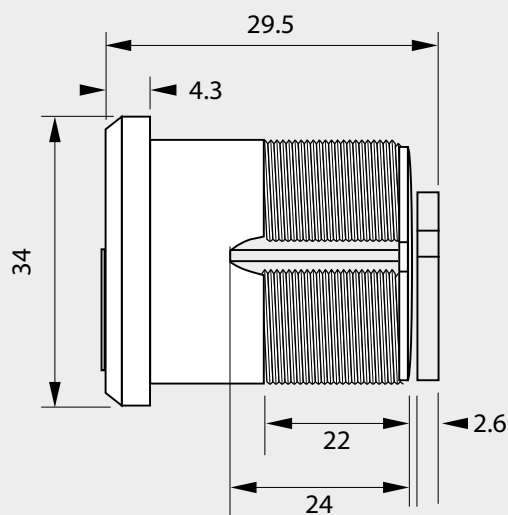
Description

Description	Finish	Code
Round mortice cylinder keyed to differ. For use with 1820/1850/4510	Satin	5228
Trim ring - round mortice cylinder	Satin	5228-TRIM
Round mortice cylinder keyed to differ. To suit extended hardware	Satin	5228X
Round mortice cylinder keyed to pass. For use with 1820/1850/4510	Satin	5229
Round mortice cylinder keys to pass 6 pack. To suit extended hardware	Satin	5229X
Round mortice thumbturn. For use with 1820/1850/4510	Satin	5230
Round mortice cylinder guard. For use with 1820/1850/4510	Satin	5231
Pair of 5228 round mortice cylinders complete with 2 keys	Satin	5241
Round mortice cylinder trim ring 1.5mm thick. For use with 5228/5229/5230	Satin	5242
Round mortice cylinder trim ring 2.5mm thick. For use with 5228/5229/5230	Satin	5243
Round mortice cylinder trim ring 3mm thick. For use with 5228/5229/5230	Satin	5244
Key blank. For use with round cylinders	-	5247

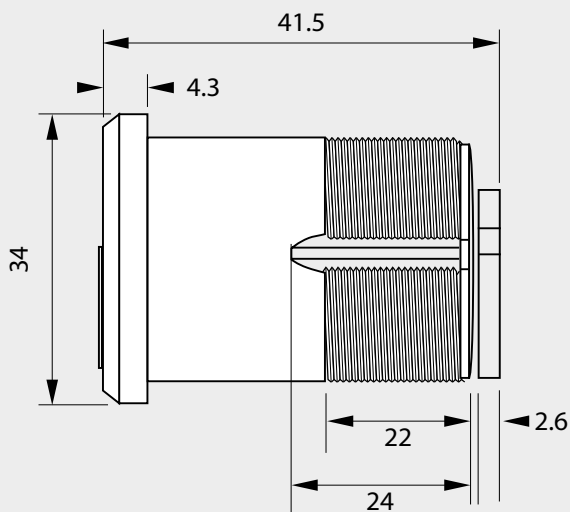
5230 Round Mortice Thumbturn Cylinder



5228 Round Mortice Cylinder



5229X Round Mortice Cylinder to suit extended hardware



All dimensions are shown in mm.